

sinopé



Smart Water Valve [2nd generation]

VA4220ZB

Compatible with



GT130 gateway



VA4220WF valve*

*Acts as a secondary valve to the main water valve VA4220WF



■ FEATURES

- Remote access and control of the main water supply through smartphone and tablet*
- Possibility to back-up the device with lithium batteries (not included) for ongoing operation**
- Self-testing system ensuring proper operation at all times throughout the life of the device
- 20 water leak detectors or accessories can be controlled with Sinopé's smart water valve
- Possibility to open and close the valve manually
- Removable controller allowing the manual valve to be left in place if a part is replaced

*Remote access requires a permanent Internet connection and your Zigbee platform app.

** **IMPORTANT:** Your Wi-Fi router and Zigbee Gateway must be connected to an Uninterruptible Power Supply (UPS) so that the valve closes as soon as a leak is detected by a Sinopé water leaks detector (not included).

For maximum protection, even in the event of a power failure, the Sedna VA42220WF-K5 water damage protection system is preferred.

■ COMMUNICATION

Protocol: Zigbee 3.0
Frequency: 2.4 GHz
Transmission power: +20 dBm
Receiver sensitivity: -108 dBm

■ ALSO AVAILABLE

PEX Ready smart valve

■ STANDARDS

Complies with CSA B125.3-12 Plumbing fittings
Valve body tested EU RoHS 2 (Directive 2011/65 / EU)



- Link your water leak detectors with the GT130 gateway to close the Sinopé Zigbee valve*
- See the batteries' status directly in the app
- Create automations in the app so that the Sinopé's connected devices react when water is detected**
- Add the Zigbee valve as a secondary valve to the main VA4220WF valve if there is a 2nd water inlet

* **IMPORTANT:** In case of power failure, the signal between the water leak detector and your gateway Zigbee will not be transmitted. The closing signal won't be able to reach the valve. For optimal protection, even in the event of a power failure, the Sedna VA4220WF-K5 water damage protection system is preferred.

** Available only with Sinopé Zigbee devices (requires GT130 gateway).

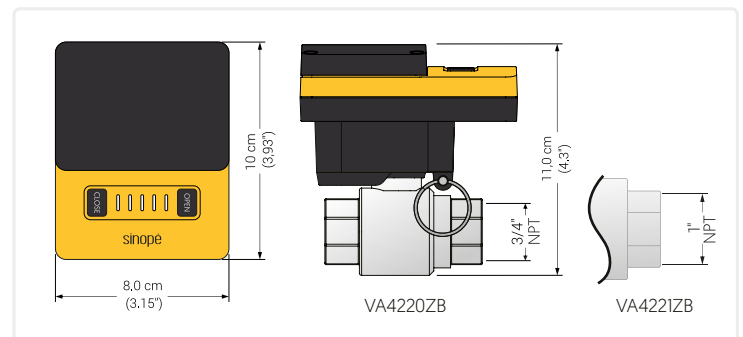
■ TECHNICAL SPECIFICATIONS

Valve body: Stainless steel, lead-free
Controller's base: Fiberglass reinforced
Ball valve: Full port valve
Maximum pressure: 145 PSI
Maximum torque: 2.5 N.m
Power supply: 5V / 5W (included)
Backup power supply: 4 AAA lithium batteries (not included)
Operating temperature: 0 °C to 40 °C [32 °F to 104 °F]
Maximum water temperature: 85 °C [185 °F]
Storage: -20 °C to 50 °C [-4 °F to 122 °F]
3-year warranty

*Indoor installation only

■ DIAMETER

VA4220ZB - 3/4 in NPT x 3/4 in NPT
VA4221ZB - 1 in NPT x 1 in NPT



sinopé

T: 450.741.7700
TF: 1.855.741.7701

sinopetech.com - sales@sinopetech.com
Saint-Jean-sur-Richelieu, Qc, Canada