

sinopé

FS4220 FS4221

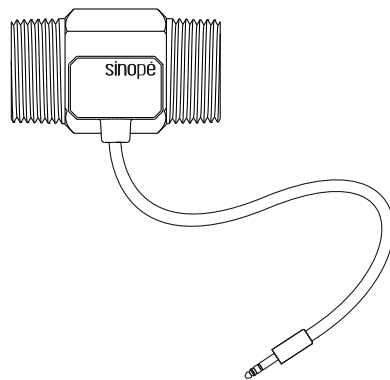
Installation Guide

Flow Sensor

IMPORTANT: Installation of the flow sensor should be performed by a certified professional in accordance with local and national building codes.

YOUR FS4220/FS4221 FLOW SENSOR

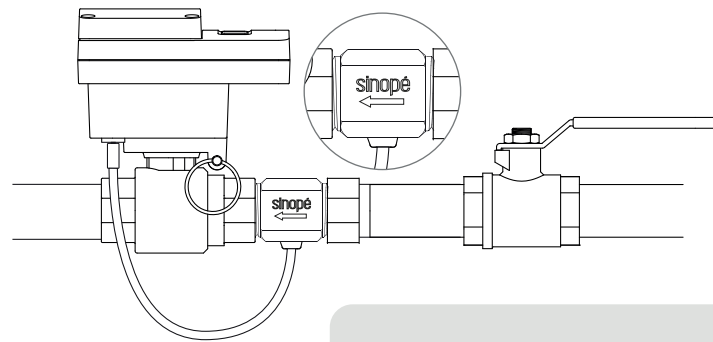
The flow sensor is an indispensable ally for your Sinopé smart water valve since it detects invisible* leaks that can occur when pipes break in walls and ceilings.



* The flow sensor detects abnormal flow rates of 2L/min [FS4220 ¾ inch version] and 4L/min [FS4421 1 inch version].

POSITIONING YOUR FLOW SENSOR

The flow sensor must be placed before the Sedna valve on the main water pipe to perform an optimal work. In addition, it is important to take into account the arrow on the sensor, which indicates the direction of the water flow and thus, the preferred direction to properly position the device during installation.



If possible, to improve reading accuracy, install the flow sensor at least 6" [15 cm] from an upstream elbow.

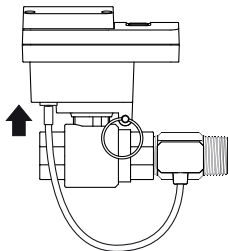
INSTALLATION OF YOUR FLOW SENSOR

1

Close the water inlet valve. Open the hot and cold water taps located near the device to reduce the water pressure.

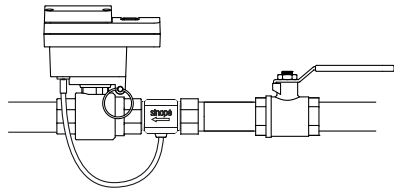
3

Plug the flow sensor wire into the valve.



2

Place the flow sensor directly on the Sedna valve or just before the water inlet valve. Depending on your plumbing, additional parts may be required (not included).



4

Open the water supply to make sure there are no leaks.

ADD YOUR FLOW SENSOR TO NEVIWEB

1. Once the flow sensor is connected to your 2nd generation Sedna valve, go to the Neviweb app.
2. From the **All Devices page**, select your 2nd generation Sedna valve.
3. Press the **Settings** icon.
4. Once on the **Settings** page, go to the "Flow Sensor" section.
5. Select the FS4220 or FS4221 model ($\frac{3}{4}$ " and 1" respectively) and configure the other settings as needed. Press **Save**.

TECHNICAL SPECIFICATIONS

Compatibility: compatible with the 2nd generation Sedna Sinopé valve
Water temperature: ≤ 60 °C [140 °F]
Material: Stainless steel 304, lead free
Hydraulic withstand pressure: 1.75 MPa [244 PSI]

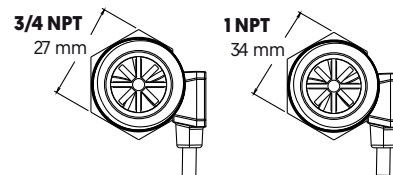
FS4220

Diameter and connection: NPT $\frac{3}{4}$ in
Flow range: 2-45 L/Min

FS4221

Diameter and connection: NPT 1 in
Flow range: 4-45 L/Min

Standards : Conforms to ANSI B120.1



3-year limited warranty

SINOPÉ TECHNOLOGIES INC. warrants the components of their products against defects in material and workmanship for a 3 year period from the date of purchase, under normal use and service, when proof of purchase of such is provided to the manufacturer. This warranty does not cover any transportation costs that may be incurred by the consumer. Nor does it cover a product that has been improperly installed, misused or accidentally damaged. The obligation of Sinopé Technologies Inc., under the terms of this warranty, will be to supply a new unit and this releases the manufacturer from paying the installation costs or other secondary charges linked to replacing the unit or the components.

sinopé

For more information, visit our Website:
www.sinopetech.com

