

sinopé

RM3250ZB

Installation Guide

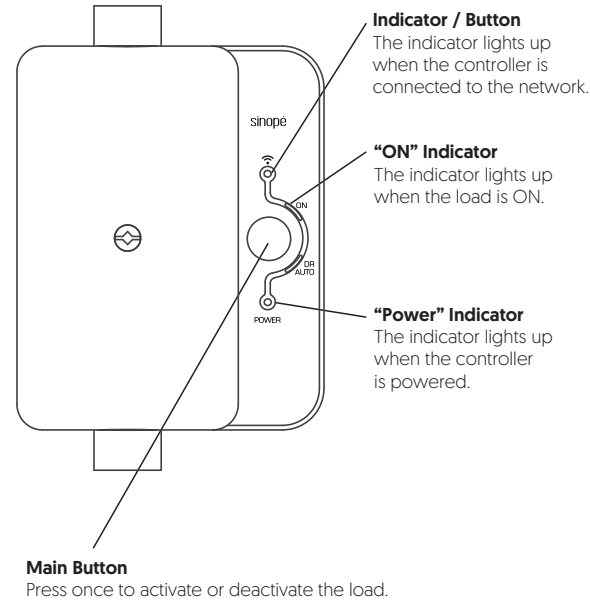
Smart Electrical
Load Controller

Warning

The installation of this controller should be made by a certified electrician and must be installed in conformity with the national and local Electrical Codes.

The electrical load controller is designed for indoor use only.

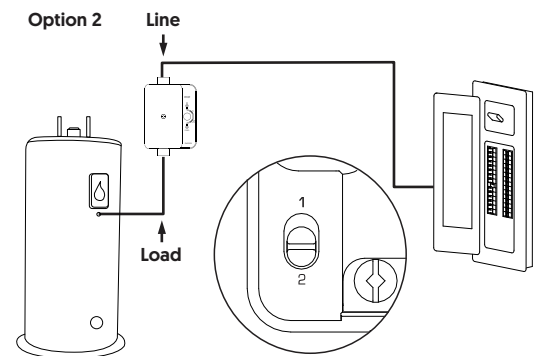
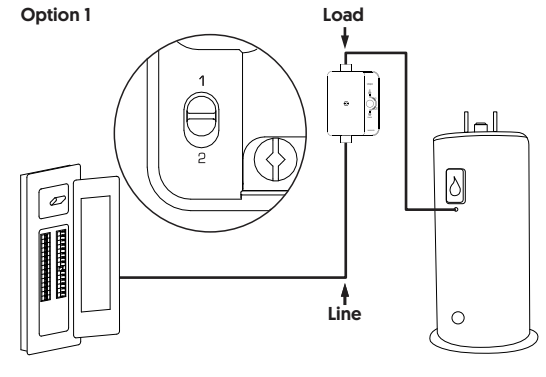
YOUR CONTROLLER RM3250ZB



zigbee 3.0

CONTROLLER PLACEMENT

To facilitate connection to the network, choose a clear area. Do not, for example, place the controller behind a water heater. When you have selected a suitable area, select 1 or 2 with the selection switch depending on the wiring of the device.

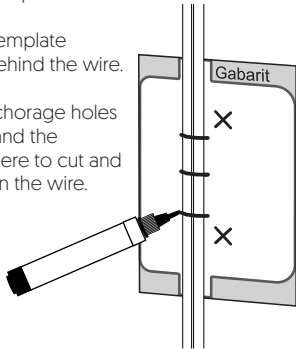


INSTALL YOUR CONTROLLER

- 1 Turn OFF the circuit at the main electrical panel.

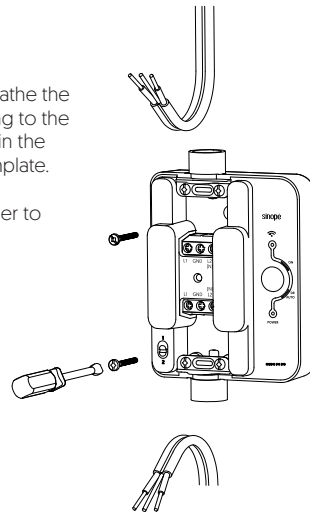
Secure the template (included) behind the wire.

Mark the anchorage holes on the wall and the positions where to cut and unsheathe on the wire.

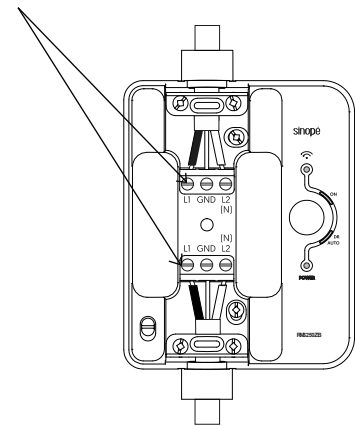


- 2 Cut and unsheathe the wires according to the size indicated in the installation template.

Fix the controller to the wall.

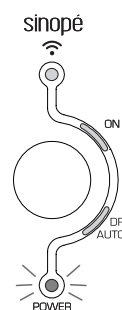


- 3 Insert each wire in its terminal and firmly tighten the wire connectors. A loose connection can be a fire hazard.

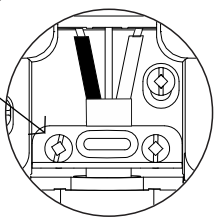


- 5 Close the cover and power up the controller.

Note: The "Power" indicator will lit. If not, verify the position of the wiring selection switch.



- 4 Secure the cable with the clamp. The clamp must lean against the cable's outer sheath.



ADD YOUR CONTROLLER TO THE GT130 AND NEVIWEB

- 1 If you do not have an account yet, download the Neviweb app for iOS or Android to open an account and add your device.



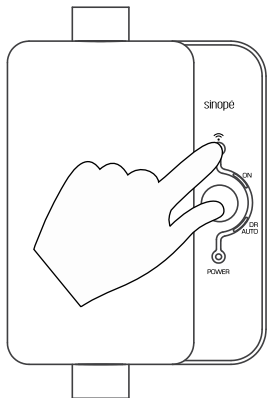
- 2 Tap the then select "Add Device"



- 3 Follow the steps of the Installation Wizard

DISCONNECT YOUR LOAD CONTROLLER FROM THE GT130 GATEWAY OR A COMPATIBLE ZIGBEE SYSTEM

To disconnect the load controller from the GT130 gateway or a compatible Zigbee system press simultaneously press the button and the main button for 10 seconds.



APPLICATIONS

This unit can control different types of devices such as:

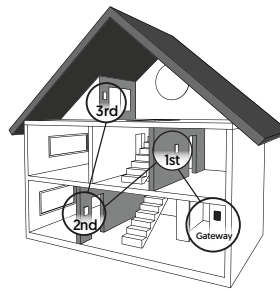
- Electric water heater
- Pool pump and filter
- Window AC unit
- Outdoor lighting
- Irrigation pump

CONNECT YOUR LOAD CONTROLLER TO A COMPATIBLE ZIGBEE SYSTEM

- 1 Initiate the connectivity session of your compatible Zigbee hub by referring to the device's user guide.



- 3 Connect all your compatible Zigbee devices the same way, by going to the next closest device.



- 2 Connect your controller load to the network by pressing once on the button.

The indicator

Flashes:

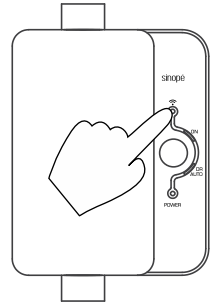
Device is connecting.

Lit:

Device is connected.

OFF:

Connection has failed.*



*Refer to the "support" section of our Website to troubleshoot the unit.

- 3 When your controller is connected, close the connectivity session of your compatible Zigbee hub.



TECHNICAL SPECIFICATIONS

Maximum wire gauge: 6GA

Operating voltage: 120 - 347 Vac, 50 / 60 Hz

Consumption:

• **Load activated:** 0.5 W @ 120 - 240 Vac

• **Load standby:** 0.47 W @ 120 - 240 Vac

Operating temperature: 0 °C to 40 °C [32 °F to 104 °F]

Storage: -20 °C to 50 °C [-4 °F to 122 °F]

Standard UL: Conforms to ANSI/UL Std. 916

Certified under CAN/CSA Std. C22.2 No205-12

Indoor installation only.

MAXIMUM LOAD

	120 V	240 V	277 V	347 V
Resistive load	50 A	50 A	50 A	20 A
Incandescent lamp	20 A	20 A	20 A	20 A
Magnetic ballast	20 A	20 A	20 A	15 A
Electronic ballast	15 A	15 A	15 A	
Motor	1.5 HP	3 HP	3 HP	

Zigbee 3.0 profile

Frequency: 2.4 GHz

Transmission power: +20 dBm

Receiver sensitivity: -108 dBm

Note: If your water heater has been turned off for several days, it is recommended to wait until the water temperature has reached 60 °C [140 °F] and to let the hot water run for a few minutes when the heater is switched back on.

Transmitter Module IC: 22394-ZBMI501 / FCC ID:2AK2T-ZBMI501

This device complies with Industry Canada license exempt RSS standard[s].

Operation is subject to the following two conditions:

[1] this device does not cause interference, and [2] this device must accept any interference, including interference that may cause undesired operation of the device.

This equipment has been tested and found to comply with the limits for a Class B digital device, pursuant to part 15 of the FCC Rules. These limits are designed to provide reasonable protection against harmful interference in a residential installation. This equipment generates, uses and can radiate radio frequency energy, and if not installed and used in accordance with the instructions, may cause harmful interference to radio communications. However, there is no guarantee that interference will not occur in a particular installation. If this equipment does cause harmful interference to radio or television reception, which can be determined by turning the equipment OFF and ON, the user is encouraged to try to correct the interference by one or more of the following measures:

Reorient or relocate the receiving antenna.

Increase the separation between the equipment and receiver.

Connect the equipment into an outlet on a circuit different from that to which the receiver is connected. Consult the dealer or an experienced radio/TV technician for help.

3-year limited warranty

SINOPE TECHNOLOGIES INC. warrants the components of their products against defects in material and workmanship for a 3-year period from the date of purchase, under normal use and service, when proof of purchase of such is provided to the manufacturer. This warranty does not cover any transportation costs that may be incurred by the consumer. Nor does it cover a product that has been improperly installed, misused or accidentally damaged.

The obligation of SINOPE TECHNOLOGIES INC., under the terms of this warranty, will be to supply a new unit and this releases the manufacturer from paying the installation costs or other secondary charges linked to replacing the unit or the components.

Neviweb® is a registered trademark of Sinopé Technologies Inc. in Canada and the United States. Apple and the Apple logo are trademarks of Apple Inc., registered in the U.S. and other countries. App Store is a service mark of Apple Inc., registered in the U.S. and other countries. Google Play and the Google Play logo are trademarks of Google Inc.

660-2507-0001-C

sinopé

For more information, visit our Website:

www.sinopetech.com

