

sinopé

SEDNA DS SMART WATER LEAK DETECTOR WL4200S-C4

PROTECT YOUR BELONGINGS
FROM WATER DAMAGE

The Sedna DS smart water leak detector for Control4 notifies you as soon as a water leak or a temperature drop occurs. Quickly receive a notification via 4Sight* allowing you to intervene in a short time before significant and costly damage occurs.**

Its design, with remote sensor, allows it to be easily installed even in the least accessible places such as the back of the washing machine or under the dishwasher.

Combine it with a Sinopé smart water valve for Control4 to close the main water supply as soon as a leak appears.

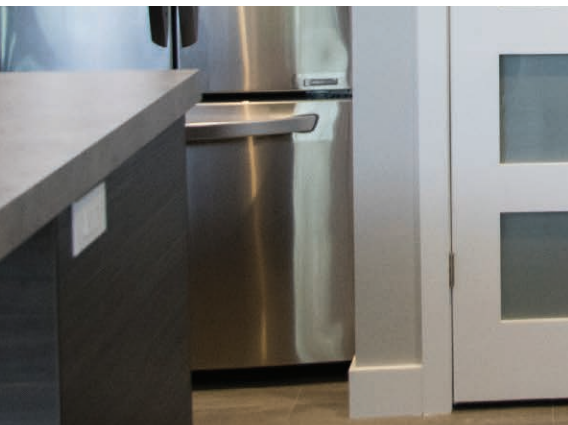
Ideal for: house, cottage, multi-housing property managers and commercial buildings

* Requires the Control4 app and a 4Sight subscription

** Required : Control4 controller



WL4200S-C4



SMART WATER LEAK DETECTOR

WL4200S-C4

ADDED VALUE

- 4 ft [1,2m] wire probe to monitor hard to reach areas
- Battery powered for continuous operation
- Easy installation and fast connection
- Temperature sensor that warns you when a temperature drop occurs to avoid burst pipes
- Audible alarm alerts you even during power outages
- 3-year warranty

OPERATION

- The smart water leak detector notifies you of the presence of a water leak as soon as it is detected.
- Audible alarm and notification sent as soon as a water leak or a drop in temperature is detected or when the batteries are low.*

* Requires the Control4 app and a 4Sight subscription



TRANSMISSION

Zigbee 3.0 profile

Frequency: 2.4 GHz

Transmission power: +20 dBm

Receiver sensitivity: -108 dBm

SPECIFICATIONS

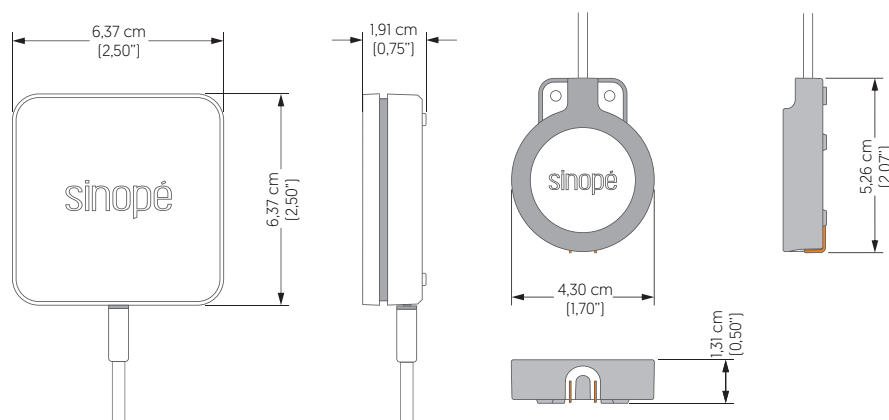
Power supply: 2 AAA batteries - included

Autonomy: Up to 4 years of normal use

Operating temperature: 0 °C to 40 °C [32 °F to 104 °F]

Storage: -20 °C to 50 °C [-4 °F to 122 °F]

Indoor installation only



sinopé

T. : 450.741.7700 TF: 1.855.741.7701

sinopetech.com

ventes.sales@sinopetech.com

Saint-Jean-sur-Richelieu, Qc, Canada

Suggested uses

- Dishwasher
- Washing machine
- Water heater
- Drain pump
- Refrigerator
- Sink
- Toilet
- Water softener
- Bathtub

270-5050-009-A