

sinopé

zigbee 3.0

SMART LIGHT SWITCH AND DIMMER

SW2500ZB / DM2500ZB

CREATE PERFECT AMBIANCES THROUGH YOUR COMPATIBLE ZIGBEE HUB

Customize your lighting, protect your home and realize savings: Sinopé's smart switches and dimmers let you do all that and more!*

Through your Zigbee gateway, lighting can be controlled and dimmed from anywhere, anytime, via a smartphone, tablet or computer.

* Features available if supported by your compatible Zigbee hub and its application.



SW2500ZB

DM2500ZB



SMART LIGHT SWITCH AND DIMMER

SW2500ZB / DM2500ZB

ADDED VALUE

- Remote control with smartphone, tablet or computer*
- Integrates with personalized scenes
- Occupancy simulation mode
- Compatible with the SmartThings** home automation platform
- Voice control:
 - Directly with Amazon's Echo Plus
 - With Google Assistant (Google Home) and Alexa (Amazon Echo) through SmartThings
- 3-year warranty

OPERATION

- The smart light switch and dimmer allow the remote and manual control of lighting.
- Extended range communication.

Remote access requires a permanent Internet connection and a compatible Zigbee hub.*



SPECIFICATIONS

	Light switch	Dimmer
Operating voltage	120 Vac, 60 Hz	120 Vac, 60 Hz
Maximum load	450 W : LED, CFL, Halogen 600 W : Incandescent 1800 W : Resistive 1/2 HP : Ceiling fan	150 W : Dimmable LED and CFL 400 W : Incandescent, Halogen (multi-gang - 3 units) 500 W : Incandescent, Halogen (multi-gang - 2 units) 600 W : Incandescent, Halogen (single installation)
Operating temperature	0 °C to 40 °C [32 °F to 104 °F]	0 °C to 40 °C [32 °F to 104 °F]
Storage temperature	-20 °C to 50 °C [-4 °F to 122 °F]	-20 °C to 50 °C [-4 °F to 122 °F]
ANSI/UL Standard	Conforms to ANSI/UL Std. 916, certified to CAN/CSA Std. C22.2 No205	Conforms to ANSI/UL Std. 1472, certified to CAN/CSA Std. C22.2 No184.1

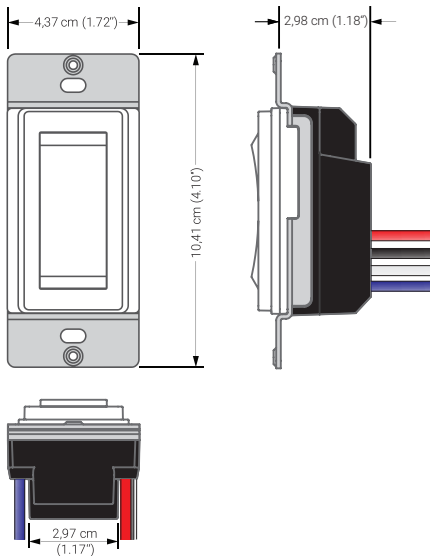
TRANSMISSION

Zigbee 3.0 profile

Frequency: 2.4 GHz

Transmission power: +20 dBm

Receiver sensitivity: -108 dBm



*Feature available if supported by your Zigbee-compatible hub and its application.

** Compatible with the SmartThings Classic app only.

sinopé

T: 450.741.7700 TF: 1.855.741.7701

sinopetech.com

ventes.sales@sinopetech.com

Saint-Jean-sur-Richelieu, Qc, Canada